


# PARTS CATALOGUE/TECHNICAL GUIDE

## Cal. V803A

### [SPECIFICATIONS]

Cal. No.		V803A
Item		
Movement		 (x 1.5)
Movement size	Outside diameter	18.4 mm between 6 o'clock and 12 o'clock sides 15.3 mm between 3 o'clock and 9 o'clock sides
	Casing diameter	φ18.1 mm 17.8 mm between 6 o'clock and 12 o'clock sides
	Height	2.5 mm
Time indication		3 hands
Driving system		Step motor (Load compensated driving pulse type)
Additional mechanism		<ul style="list-style-type: none"> <li>• Electronic circuit reset switch</li> <li>• Train wheel setting device</li> </ul>
Loss/gain		Monthly rate at normal temperature range: less than 20 seconds
Regulation system		Nil
Measuring gate by quartz tester		Use 10-second gate.
Battery		SEIKO SR621SW, Maxell SR621SW, SONY SR621SW, EVEREADY 364 Battery life is approximately 2 years. Voltage: 1.55V
Jewels		1 jewel

HATTORI SEIKO CO., LTD.

# PARTS CATALOGUE

Cal. V803A

Disassembling procedures Figs.: ① → ③③

Reassembling procedures Figs.: ③③ → ①

Lubricating: Types of oil

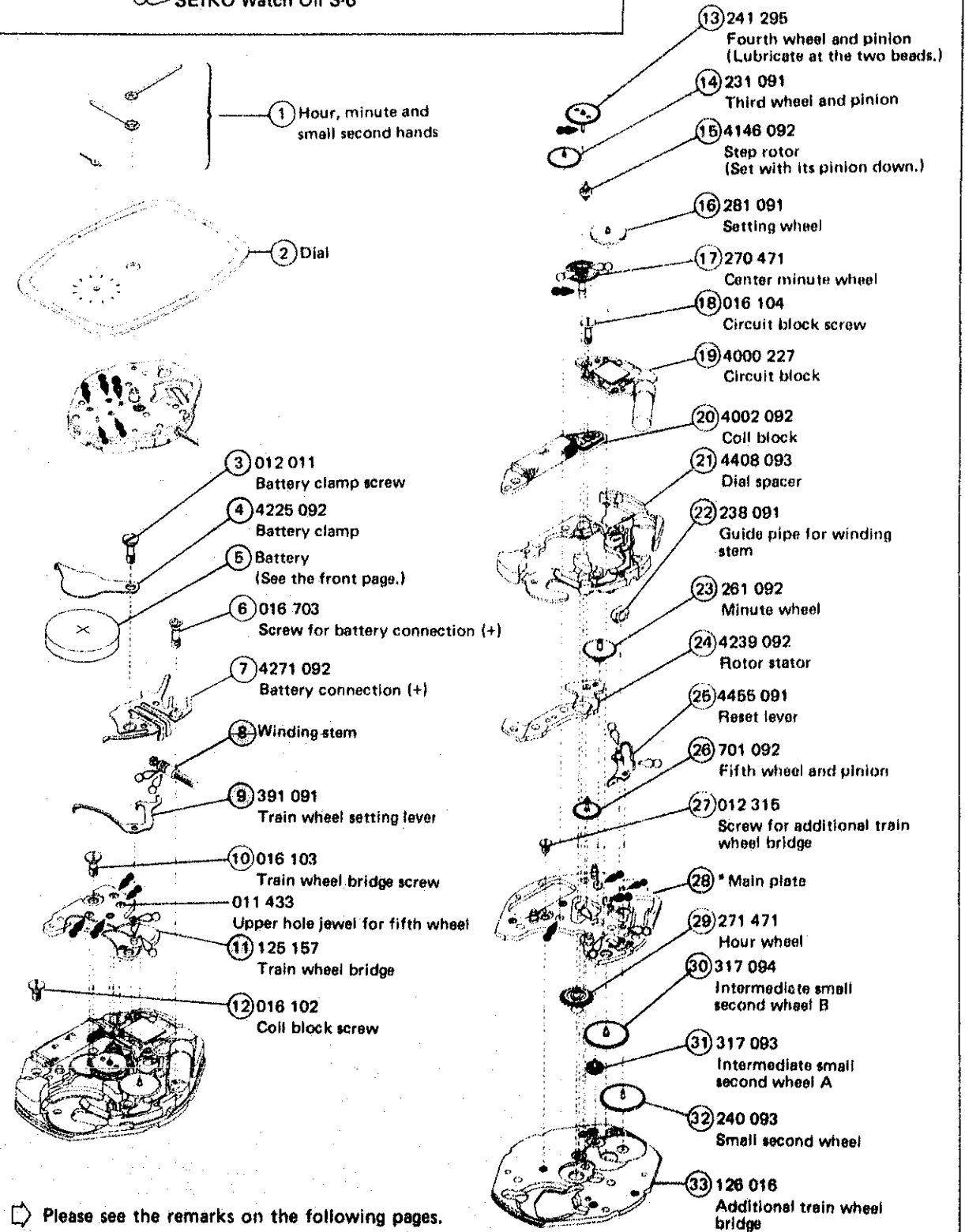
● Moebius A

○ SEIKO Watch Oil S-6

Oil quantity

○ Normal quantity

\* Unavailable for supply



# PARTS CATALOGUE






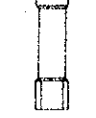
Cal. V803A

## Remarks:

⑧ Winding stem 351 291

The type of winding stem is determined based on the design of cases.  
Check the case number and refer to "Casing Parts Catalogue" to choose a corresponding winding stem.

## LIST OF SCREWS USED

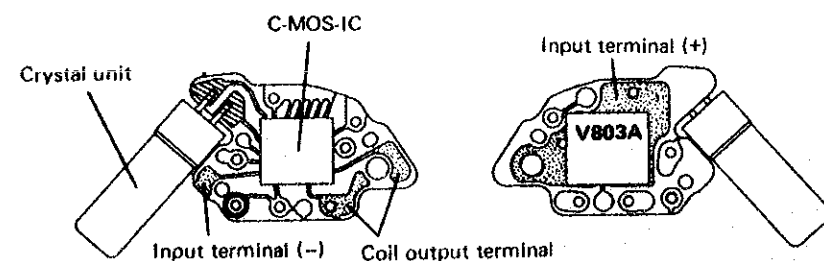
Shape	Part No.	Name	Shape	Part No.	Name
	012 315	Screw for additional train wheel bridge (1 pc.)		016 104	Circuit block screw (1 pc.)
	016 102	Coil block screw (1 pc.)		016 703	Screw for battery connection (+) (1 pc.)
	016 103	Train wheel bridge screw (1 pc.)		012 011	Battery clamp screw

# TECHNICAL GUIDE

Cal. V803A

- The explanation here is only for the particular points of Cal. V803A.
- For repairing, checking and measuring procedures, refer to the "TECHNICAL GUIDE, GENERAL INSTRUCTIONS".

## I. STRUCTURE OF THE CIRCUIT BLOCK



# TECHNICAL GUIDE

Cal. V803A

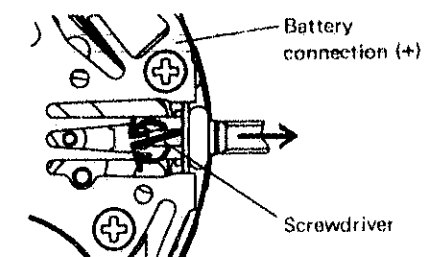
## II. REMARKS ON DISASSEMBLING AND REASSEMBLING

Use the universal movement holder for disassembling and reassembling.

⑧ Winding stem

### • How to remove

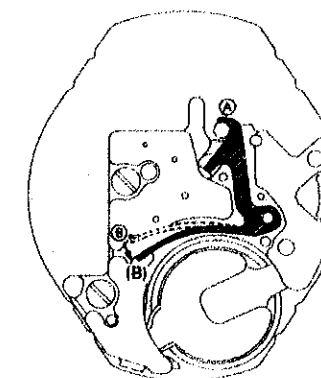
Using a slotted screwdriver with a little wider tip, twist it alternately right and left as shown by the arrows in the illustration below, and pull out the winding stem.



⑨ Train wheel setting lever

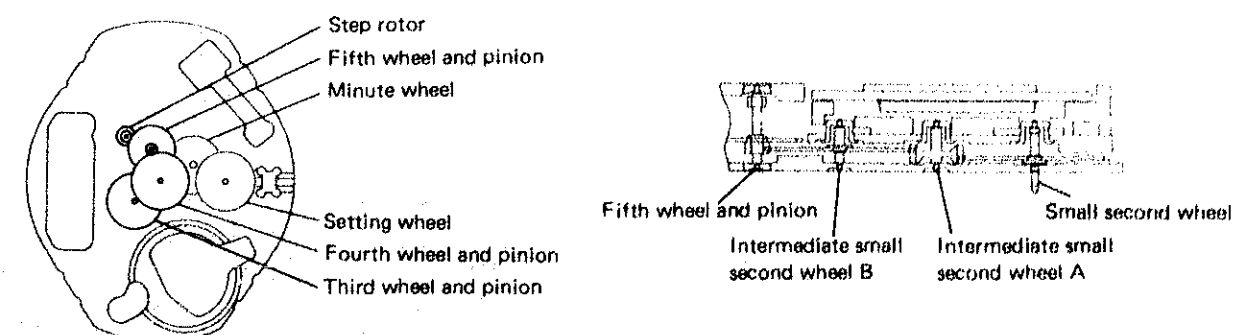
### • Setting position

Set (A) portion first, and then insert (B) portion into the long slot (B) in the train wheel bridge. When setting (A) portion, check that it does not touch the fourth wheel and pinion.



⑪ Train wheel bridge

### • Setting position



**Note:** Set the step rotor with its pinion facing toward the main plate side.

## III. VALUE CHECKING

- Coil block resistance

2.3K $\Omega$  ~ 2.7K $\Omega$

- Current consumption

For the whole of the movement : less than 1.2 $\mu$ A

For the circuit block alone : less than 0.4 $\mu$ A

**Remarks:**

When the current consumption exceeds the standard value for the whole of the movement but is less than the standard value for the circuit block alone, overhaul and clean the movement parts and then measure current consumption for the whole of the movement again. The driving pulse generated to compensate a heavy load that may apply on the gear train, etc. is considered to cause excessive current consumption for the whole of the movement.