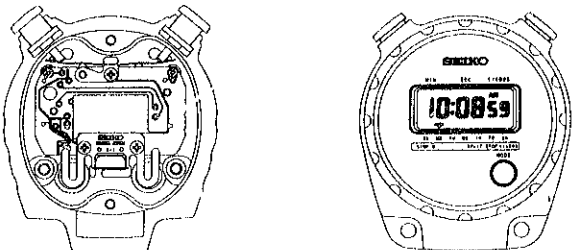


# PARTS CATALOGUE/ TECHNICAL GUIDE

## Cal. S026A

### [SPECIFICATIONS]

Item		Cal. No.	S026A
Complete		 <p style="text-align: right;">(x 0.5)</p>	
Module size	Outside diameter	40.0mm between 3 o'clock and 9 o'clock sides 23.6mm between 6 o'clock and 12 o'clock sides	
	Casing diameter	—	
	Height	4.6mm (7.8mm with battery)	
Display medium		Nematic Liquid Crystal, FEM (Field Effect Mode)	
Liquid crystal driving system		Multiplex driving system	
Display system		<ul style="list-style-type: none"> <li>• Stopwatch display (up to 24 hours)                             <ul style="list-style-type: none"> <li>• Minutes, seconds, and 1/100 seconds up to 30 minutes and hour, minutes, seconds after the first 30 minutes.</li> <li>• Split time measurement</li> </ul> </li> <li>• Time/calendar display</li> </ul>	
Additional mechanism		<ul style="list-style-type: none"> <li>• Time/calendar                             <ul style="list-style-type: none"> <li>12- or 24-hour indication</li> <li>Month-date/date-month changeover</li> <li>Automatic calendar (except February of leap years)</li> <li>Instant calendar setting devise</li> </ul> </li> </ul>	
Loss/gain		Monthly rate at normal temperature range: less than 30 seconds	
Regulation system		Nil	
Measuring gate by quartz tester		Any gate can be used.	
Battery		SEIKO SR41W, Maxell SR41W, SONY SR41W, EVEREADY 392 Battery life is approximately 2.5 years. Voltage: 1.55 V	

# PARTS CATALOGUE

Cal. S026A

Disassembling procedures Figs.: ① → ⑬

Reassembling procedures Figs.: ⑬ → ①

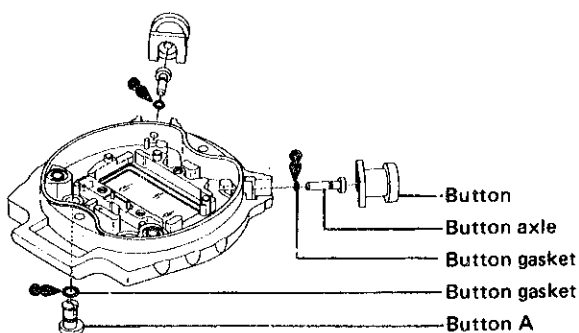
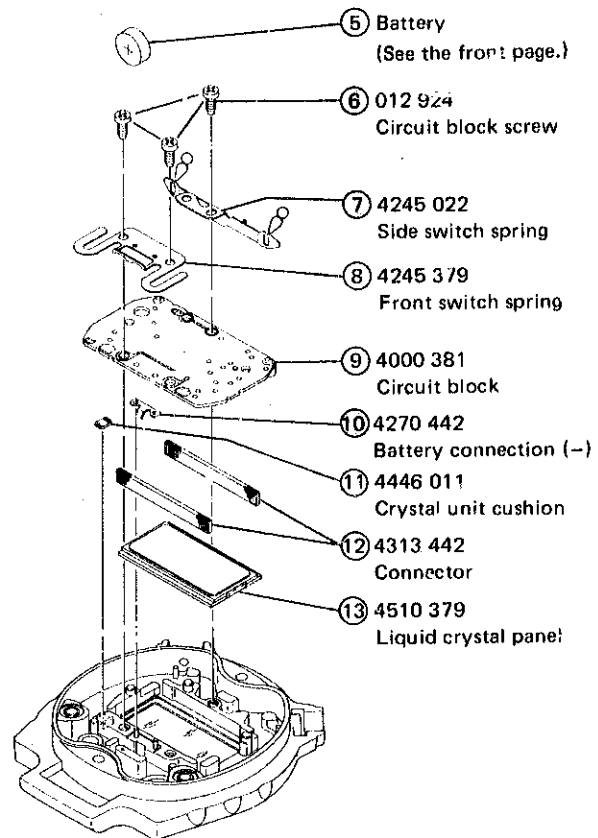
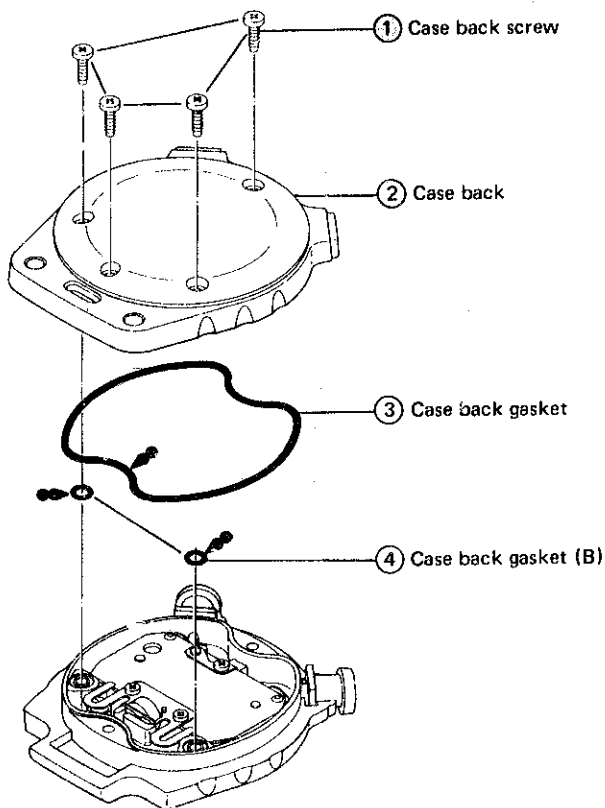
Lubricating: Types of oil

● Silicone oil 500,000 cs

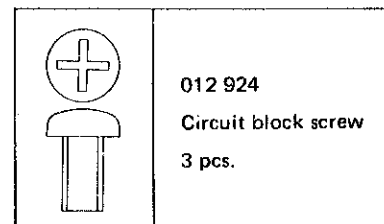
○ SEIKO Watch Oil S-6

Oil quantity

○ Normal quantity



Do not disassemble them except when they need to be replaced.



- The glass and panel cover are fixed to the case middle and can not be removed.  
When the glass, panel cover or case back gets damaged, replace the case middle with a new one.

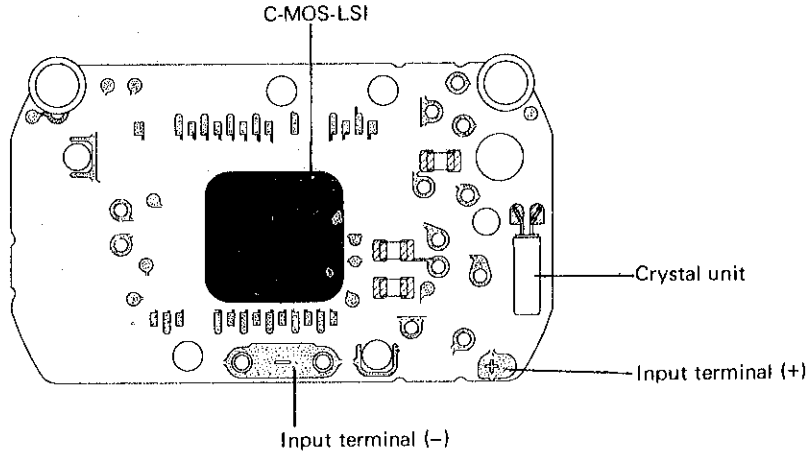
○ → Please see the remarks on the following pages.

# TECHNICAL GUIDE

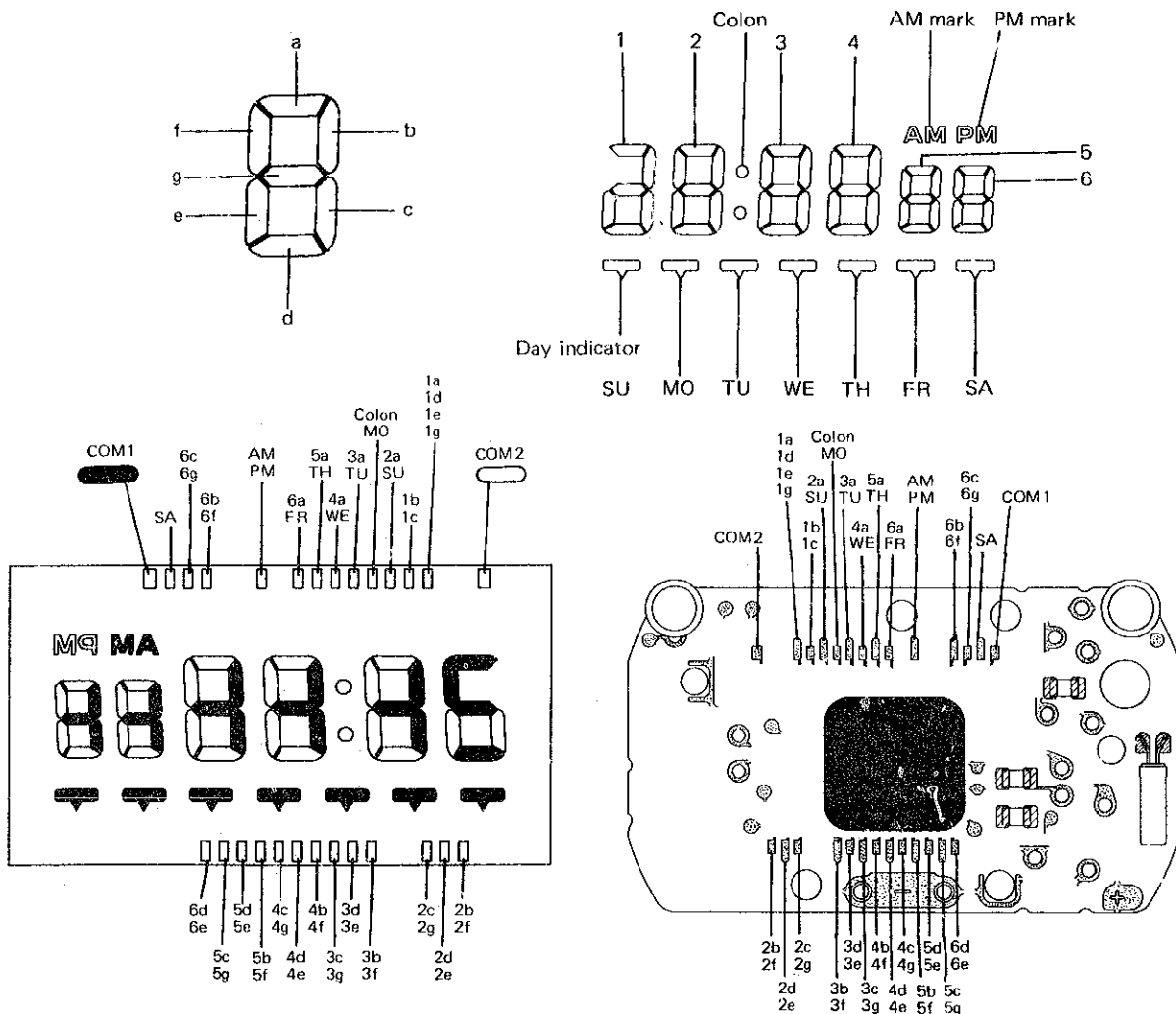
Cal. S026A

- The explanation here is only for the particular points of Cal. S026A
- For the repairing, checking and measuring procedures, refer to the "TECHNICAL GUIDE, GENERAL INSTRUCTIONS".

## I. STRUCTURE OF THE CIRCUIT BLOCK



## II. RELATIONSHIP BETWEEN THE SEGMENT (LIQUID CRYSTAL PANEL ELECTRODE) AND THE C-MOS-LSI OUTPUT TERMINAL

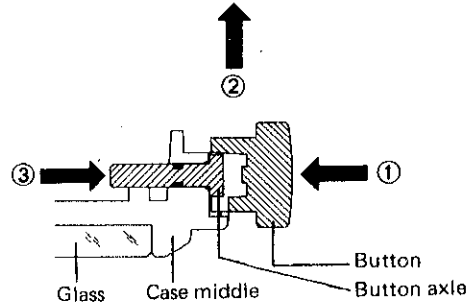


## III. REMARKS ON DISASSEMBLING AND REASSEMBLING

### • How to remove the button

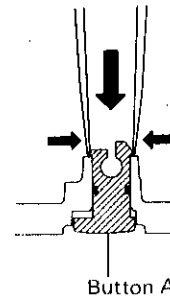
Before disassembling or reassembling the button portion, remove the side switch spring.

- ① Press the button against the case middle.
- ② Lift up the button to disengage it from the case middle.
- ③ Push out the button tip with tweezers from the inside of the case middle.



### • How to remove button A

While pinching the fork end of the front button with tweezers, push it down.



- ① Case back screw
- ⑥ Circuit block screw

### • How to install

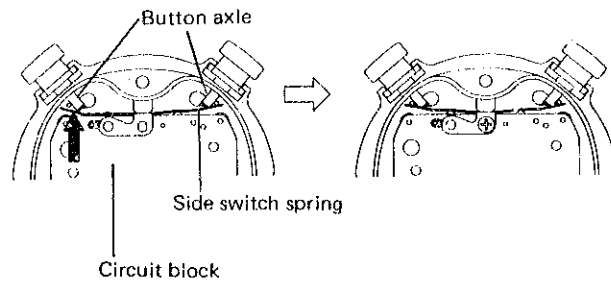
Use a Philips screwdriver which fits into the groove of the screw head. Be careful not to tighten the screws excessively.

Tighten the case back screws following the order of 12H - 6H - 3H - 9H positions.

### ⑦ Side switch spring

#### • How to install

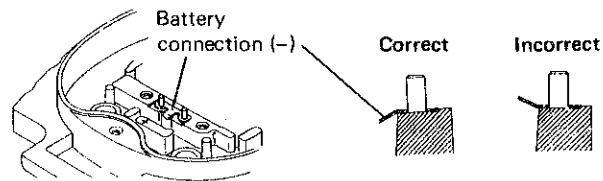
- 1) Push the side button axle out.
- 2) Set one end of the side switch spring between the end of the button axle and the circuit block.
- 3) Set the other end while holding the side switch spring at the arrow-marked position with finger.



### ⑩ Battery connection (-)

#### • How to install

Set the battery connection (-) so as not to mistake the front for the back.



## IV. VALUE CHECKING

### • All the segments lit up

By pressing both buttons B and C at the same time in the time display, all the segments of the display light up while the buttons are kept pressed.

### • Current consumption

- For the whole of the module : less than  $2.5\mu\text{A}$   
 For the circuit block alone : less than  $1.5\mu\text{A}$