

**SEIKO**

**QUARTZ**

**Cal. 8621A**

**PARTS  
CATALOGUE**

# Cal. 8621A



102 460



125 460



☆224 461



☆225 461



231 461



☆241 461



261 481



☆271 460



351 460



391 461



426 480



701 481



735 460



805 481



837 460



4001 364



4002 460



4146 480



4225 460



4239 481



4270 460



4271 460



4446 140



4455 460



4457 460



☆SEIKO TR621SW



012 168



012 184



012 185



012 190



012 785



017 200



017 202



017 206



017 248



017 298



017 628

3/1

# Cal. 8621A

## Characteristics

Casing diameter : 18.4 × 15.3 mm  
 Maximum height : 2.7 mm without battery  
 Jewels : 2 j  
 Frequency of quartz crystal oscillator : 32,768 Hz (Hz=Hertz . . . . Cycles per second)  
 Driving system : Step motor (2 poles)  
 Regulation system : Trimmer condenser  
 Train wheel setting  
 Battery life indicator : The second hand moves in two-second interval.

PART NO.	PART NAME	PART NO.	PART NAME
102 460	Auxiliary plate	☆SEIKO TR621SW } ☆SEIKO SB-DG } ☆Maxell SR621SW } ☆Toshiba SR621SW }	Silver (II) oxide battery
125 460	Train wheel bridge		Silver oxide battery
☆224 461 } ☆224 462 }	Center wheel & pinion		
☆225 461 } ☆225 462 }	Cannon pinion		
231 461	Third wheel & pinion		
☆241 461 } ☆241 462 }	Fourth wheel & pinion		
261 481	Minute wheel		
☆271 460 } ☆271 461 }	Hour wheel		
351 460	Winding stem		
391 461	Train wheel setting lever		
426 480	Train wheel bridge support		
701 481	Fifth wheel & pinion		
735 460	Winding stem holder		
805 481	Intermediate setting wheel		
837 460	Train wheel setting lever cover		
4001 364	Circuit block		
4002 460	Coil block		
4146 480	Step rotor		
4225 460	Battery clamp		
4239 481	Rotor stator		
4270 460	Battery connection (-)		
4271 460	Battery connection (+)		
4446 140	Crystal unit cushion		
4455 460	Reset lever		
4457 460	Circuit block cover		
011 541	Upper hole jewel for step rotor		
011 541	Lower hole jewel for step rotor		
012 168	Coil block screw		
012 184	Train wheel bridge screw		
012 184	Circuit block cover screw (A)		
012 185	Circuit block cover screw (B)		
012 190	Screw for train wheel setting lever cover		
012 785	Circuit block screw		
017 200	Tube for coil block screw		
017 202	Tube for circuit block cover screw (B)		
017 206	Tube for train wheel bridge (B)		
017 248	Tube for circuit block		
017 298	Tube for train wheel bridge (A)		
017 628	Tube for circuit block cover screw (A)		

☆⇨Please see remarks on the reverse page.  
 Part numbers in lighth letters are not shown in photos.

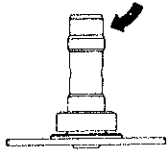
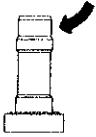


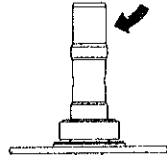
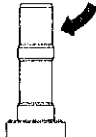
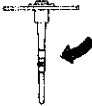

# Cal. 8621A

## Remarks :

Center wheel & cannon pinion, Cannon pinion, Fourth wheel & pinion, Hour wheel

There are two different types as specified below.

Combination :

Type	Center wheel & cannon pinion	Cannon pinion	Fourth wheel & pinion	Hour wheel
a	 ☆224 461	 ☆225 461	 ☆241 461	 ☆271 460
* b	 ☆224 462	 ☆225 462	 ☆241 462	 ☆271 461

\* As of this printing the Type b combination is not used. However it may be employed in the future with certain case designs.

## Battery

- ☆ SEIKO TR621SW
- ☆ SEIKO SB-DG
- ☆ Maxell SR621SW
- ☆ Toshiba SR621SW

The substitutive battery might be added to the applied battery in the future. In that case, please refer to separate **"BATTERY LIST FOR SEIKO QUARTZ WATCHES"**. Note that SEIKO battery is marked with "SEIZAIKEN" on its (+) side.