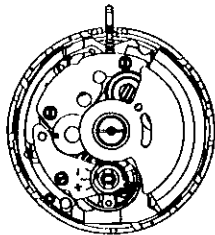
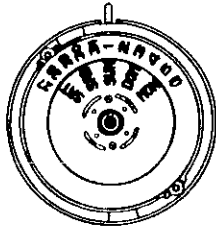


# PARTS CATALOGUE/TECHNICAL GUIDE

## Cal. 7S26A

## Cal. 7S36A

### [SPECIFICATIONS]

		Cal. No.	7S26A	7S36A
<b>Item</b>				
Movement				 (x 1.0)
Movement size	Outside diameter		ø27.4 mm	
	Casing diameter		ø27.0 mm	
	Height		4.9 mm	
Time indication			3 hands (Hour, minute and second hands)	
Vibrations per hour			21,600 (6 beats per second)	
Additional mechanism			<ul style="list-style-type: none"> <li>• Automatic winding</li> <li>• Date calendar</li> <li>• Day calendar</li> <li>• Instant date setting device</li> <li>• Instant day setting device</li> </ul>	
Jewels			21 jewels	23 jewels

# SEIKO CORPORATION

# PARTS CATALOGUE

Cal. 7S26A, 7S36A

Disassembling procedures Figs. : ① → ④⑨

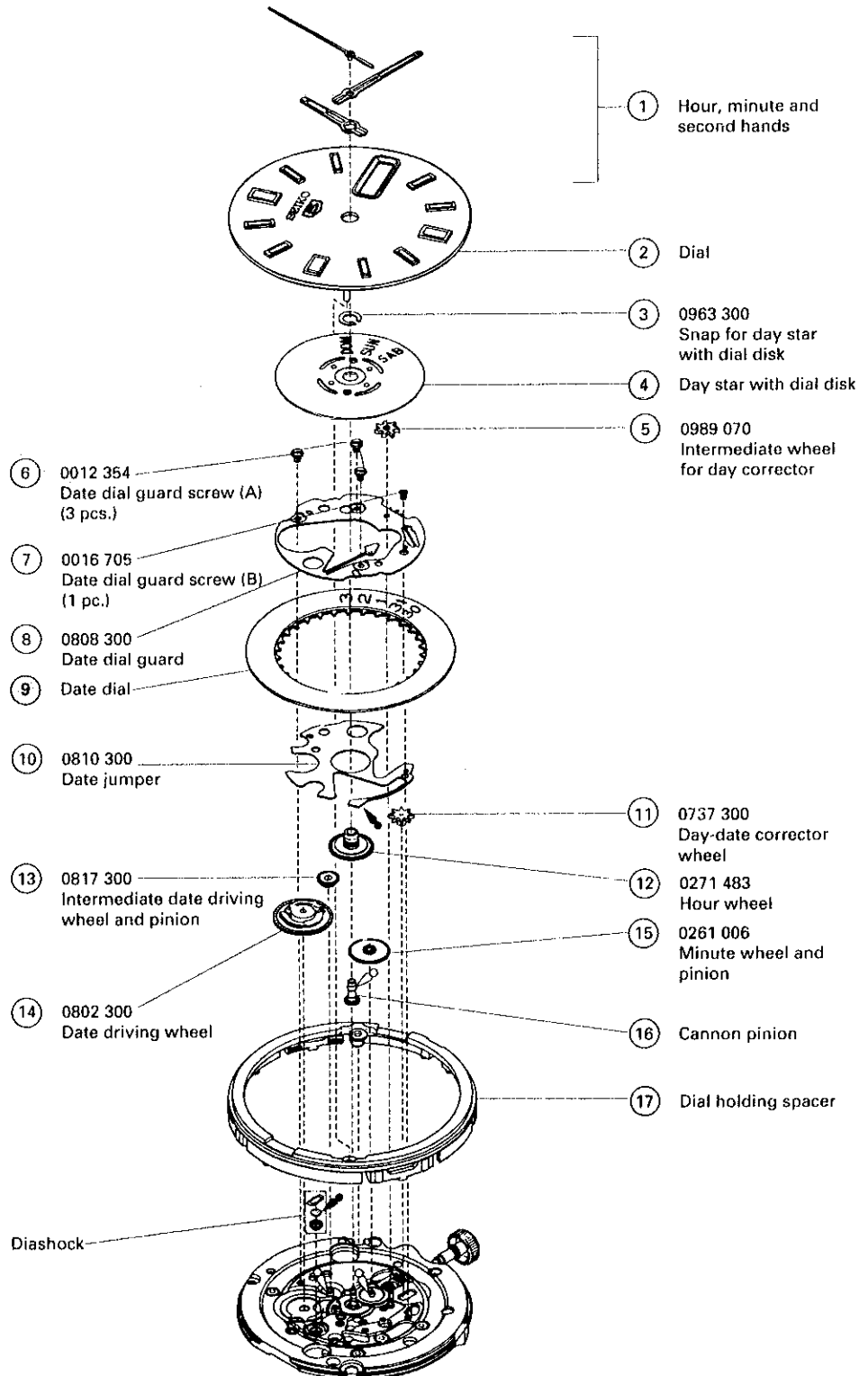
Reassembling procedures Figs. : ④⑨ → ①

**Lubricating: Types of oil**

- Moebius A
- SEIKO Watch Oil S-4
- SEIKO Watch Oil S-6

**Oil quantity**

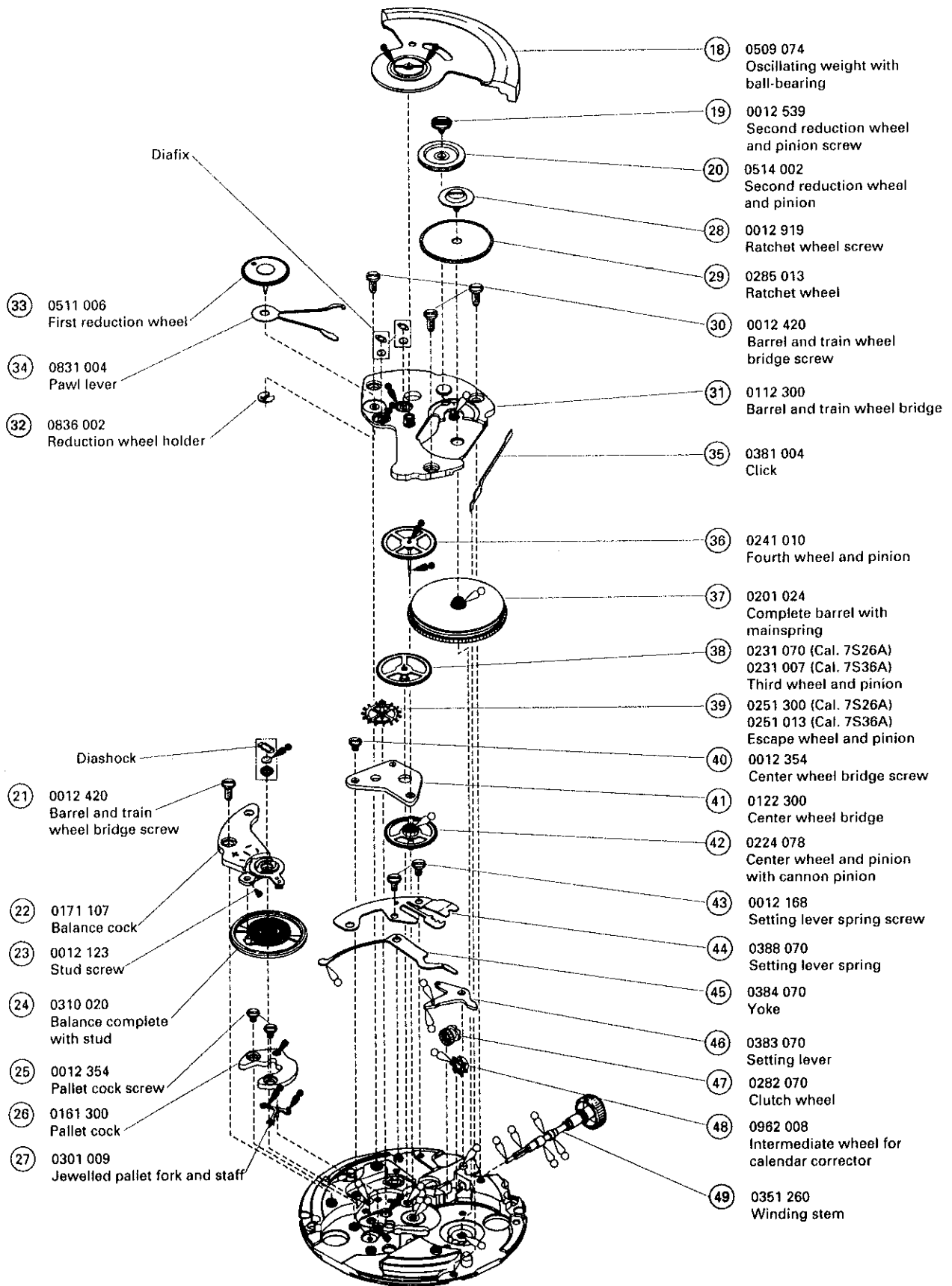
- Liberal quantity
- Normal quantity
- Extremely small



○ ⇨ Please see the remarks on the following pages.

# PARTS CATALOGUE

Cal. 7S26A, 7S36A

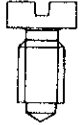
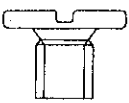
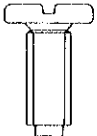
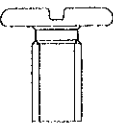


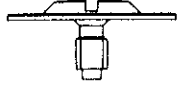
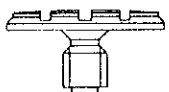

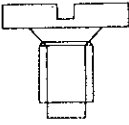
○ ➡ Please see the remarks on the following pages.

# PARTS CATALOGUE

Cal. 7S26A, 7S36A

## • List of screws

Part No.	Name
 0012 123	<ul style="list-style-type: none"> <li>• Stud screw</li> </ul>
 0012 354	<ul style="list-style-type: none"> <li>• Center wheel bridge screw</li> <li>• Pallet cock screw</li> <li>• Date dial guard screw (A)</li> </ul>
 0012 420	<ul style="list-style-type: none"> <li>• Barrel and train wheel bridge screw</li> </ul>
 0012 168	<ul style="list-style-type: none"> <li>• Setting lever spring screw</li> </ul>

Part No.	Name
 0012 919	<ul style="list-style-type: none"> <li>• Ratchet wheel screw</li> </ul>
 0012 539	<ul style="list-style-type: none"> <li>• Second reduction wheel and pinion screw</li> </ul>
 0016 705	<ul style="list-style-type: none"> <li>• Date dial guard screw (B)</li> </ul>
 0012 277	<ul style="list-style-type: none"> <li>• Lower bridge for third wheel and pinion screw (For Cal. 7S36A)</li> </ul>

## • List of jewels

Part No.	Name
0011 151	<ul style="list-style-type: none"> <li>• Lower hole jewel for first reduction wheel</li> </ul>
0011 162	<ul style="list-style-type: none"> <li>• Upper hole jewel for first reduction wheel</li> </ul>
0011 220	<ul style="list-style-type: none"> <li>• Diashock upper cap jewel</li> <li>• Diashock lower cap jewel</li> </ul>
0011 221	<ul style="list-style-type: none"> <li>• Upper cap jewel for third wheel and pinion</li> <li>• Upper cap jewel for escape wheel and pinion</li> </ul>
0011 505	<ul style="list-style-type: none"> <li>• Upper hole jewel for jewelled pallet fork and staff</li> <li>• Lower hole jewel for jewelled pallet fork and staff</li> </ul>

Part No.	Name
0011 528 (Cal. 7S26A) 0011 611 (Cal. 7S36A)	<ul style="list-style-type: none"> <li>• Lower hole jewel for escape wheel and pinion</li> </ul>
0011 540 (Cal. 7S26A) 0011 651 (Cal. 7S36A)	<ul style="list-style-type: none"> <li>• Lower hole jewel for third wheel and pinion</li> </ul>
0011 146	<ul style="list-style-type: none"> <li>• Lower hole jewel for center wheel and pinion</li> </ul>
0011 713	<ul style="list-style-type: none"> <li>• Lower hole jewel for fourth wheel and pinion</li> </ul>
0011 715	<ul style="list-style-type: none"> <li>• Upper hole jewel for center wheel and pinion</li> </ul>
0011 753	<ul style="list-style-type: none"> <li>• Upper hole jewel for fourth wheel and pinion</li> </ul>

## • List of tubes

Part No.	Name
0032 300	<ul style="list-style-type: none"> <li>• Tube for barrel and train wheel bridge</li> <li>• Tube for balance cock</li> </ul>

Part No.	Name
0032 301	<ul style="list-style-type: none"> <li>• Tube for center bridge</li> </ul>

# PARTS CATALOGUE

Cal. 7S26A, 7S36A

## • Other parts

Part No.	Name
0014 295	<ul style="list-style-type: none"> <li>• Diashock upper hole jewel with frame</li> <li>• Diashock lower hole jewel with frame</li> </ul>
0014 573	• Diashock upper frame
0014 574	• Diashock lower frame
0014 577	<ul style="list-style-type: none"> <li>• Diashock upper frame spring</li> <li>• Diashock lower frame spring</li> </ul>

Part No.	Name
0015 701	• Hole jewel with frame for third wheel and pinion
0015 711	• Hole jewel with frame for escape wheel and pinion
0015 703	<ul style="list-style-type: none"> <li>• Upper spring for third wheel and pinion</li> <li>• Upper spring for escape wheel and pinion</li> </ul>
0436 300 (Cal. 7S36A)	• Lower bridge for third wheel and pinion
0341 007	• Regulator
0345 007	• Stud holder

### Remarks:

#### ④ Day star with dial disk

The type of day star with dial disk is determined based on the design of cases. When ordering the day star with dial disk, please specify the part number inscribed on the disk.

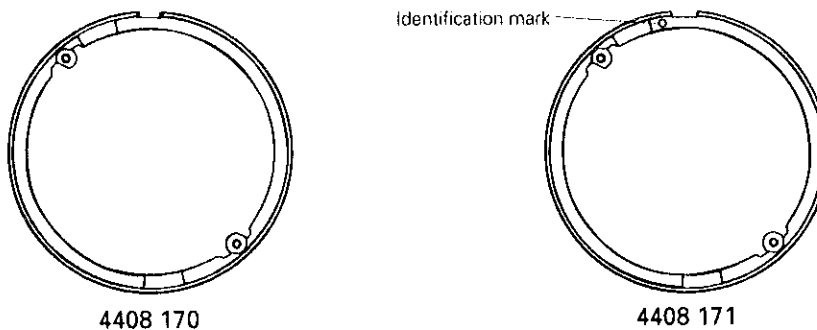
#### ⑨ Date dial

Cal. No.	Part No.	Position of Crown	Position of date	Color of figure	Color of background
7S26A, 7S36A	0878 280	3 o'clock, 4 o'clock	3 o'clock	Black	White
	0878 281	3 o'clock, 4 o'clock	3 o'clock	White	Black
	0878 282	3 o'clock, 4 o'clock	3 o'clock	Black	Gold

The type of date dial is determined based on the design of cases. If any other type of date dial is required, check the case number and refer to "SEIKO Casing Parts Catalogue" to choose a corresponding date dial.

#### ⑰ Dial holding spacer

The dial holding spacer has an identification mark.



The type of dial holding spacer is determined based on the design of cases. Check the case number and refer to "SEIKO Casing Parts Catalogue" to choose a corresponding dial holding spacer.

#### ④⑨ Winding stem 0351 260

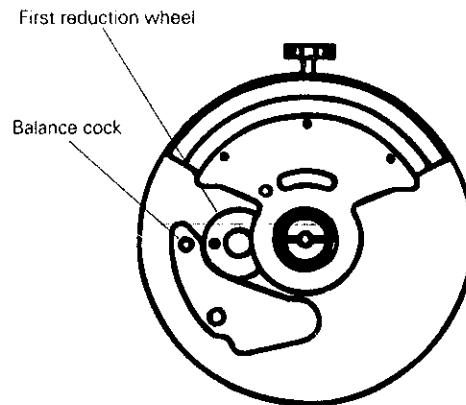
The type of winding stem is determined based on the design of cases. Check the case number and refer to "SEIKO Casing Parts Catalogue" to choose a corresponding winding stem.

- The explanation here is only for the particular points of Cal. 7S26A and 7S36A.

⑱ Oscillating weight with ball-bearing

• **How to install**

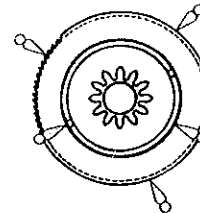
The ball-bearing has an inside screw. When installing the oscillating weight, first set the first reduction wheel so that its hole aligns with the upper one of the two holes for the balance cock (see the illustration on the right). Then set the middle point of the oscillating weight's arc toward the winding stem, and tighten the inside screw of the oscillating weight with a large driver.



⑳ Second reduction wheel and pinion

• **Lubricating**

Lubricate the portions marked with the lubricating marks in the illustration.



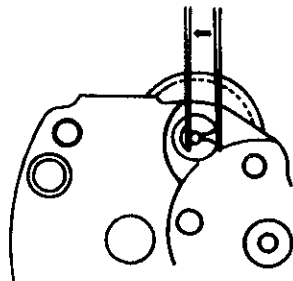
㉑ Barrel and train wheel bridge

• **How to install**

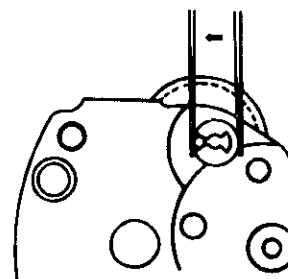
Before setting the barrel and train wheel bridge to the main plate, set the first reduction wheel, the pawl lever and the reduction wheel holder to the bridge.

㉒ Reduction wheel holder

• **Disassembling method**



• **Assembling method**



㉓ First reduction wheel

• **Lubricating**

Apply a liberal quantity of oil to the shaded portions.

