

**LASSALE  
SEIKO**

**QUARTZ**

**Cal. 1231A**

**PARTS  
CATALOGUE**

# Cal. 1231A



125 125



139 120



231 121



☆241 122



261 121



☆270 123



☆271 123



281 121



282 122



351 117



383 121



384 121



388 120



391 120



491 121



493 120



701 350



4001 296



4002 120



4146 120



4219 120



4219 121



4239 120



4270 120



4271 120



4408 121



4408 122



4446 120



☆SEIKO TR616SW



012 490



012 792



012 796



017 556



017 558



017 586



017 642



017 643



017 644



017 645



017 646

2/1

# Cal. 1231A

## Characteristics

Casing diameter :  $\phi$  15.1 mm  
 Maximum height : 2.0 mm without battery  
 Jewels : 2 j  
 Frequency of quartz crystal oscillator : 32,768 Hz (Hz=Hertz . . . . Cycles per second)  
 Driving system : Step motor (2 poles)  
 Regulation system : Trimmer condenser  
 Train wheel setting  
 Battery life Indicator

PART NO.	PART NAME	PART NO.	PART NAME
<b>125 125</b>	Train wheel bridge	<b>017 646</b>	Tube for coil block
<b>139 120</b>	Lower bridge for third wheel	☆SEIKO TR616SW	Silver (II) oxide battery
<b>231 121</b>	Third wheel & pinion	☆Maxell SR616SW	Silver oxide battery
☆ <b>241 122</b>	Fourth wheel & pinion		
☆ <b>241 124</b>			
<b>261 121</b>	Minute wheel		
☆ <b>270 123</b>	Center minute wheel		
☆ <b>270 125</b>			
☆ <b>271 123</b>	Hour wheel		
☆ <b>271 125</b>			
<b>281 121</b>	Setting wheel		
<b>282 122</b>	Clutch wheel		
<b>351 117</b>	Winding stem		
<b>383 121</b>	Setting lever		
<b>384 121</b>	Yoke		
<b>388 120</b>	Setting lever spring		
<b>391 120</b>	Train wheel setting lever		
<b>491 121</b>	Dial washer		
<b>493 120</b>	Hour wheel ring (Thickness 0.03 mm)		
493 121	Hour wheel ring (Thickness 0.05 mm)		
493 122	Hour wheel ring (Thickness 0.07 mm)		
<b>701 350</b>	Fifth wheel & pinion		
<b>4001 296</b>	Circuit block		
<b>4002 120</b>	Coil block		
<b>4146 120</b>	Step rotor		
<b>4219 120</b>	Battery connection insulator (A)		
<b>4219 121</b>	Battery connection insulator (B)		
<b>4239 120</b>	Rotor stator		
<b>4270 120</b>	Battery connection (-)		
<b>4271 120</b>	Battery connection (+)		
<b>4408 121</b>	Setting lever spring spacer		
<b>4408 122</b>	Dial spacer		
<b>4446 120</b>	Crystal unit cushion		
011 409	Upper hole jewel for step rotor		
011 541	Lower hole jewel for step rotor		
<b>012 490</b>	Train wheel bridge screw		
<b>012 490</b>	Coil block screw		
<b>012 792</b>	Circuit block screw		
<b>012 796</b>	Setting lever spring screw		
<b>012 796</b>	Screw for lower bridge for third wheel		
<b>017 556</b>	Tube for yoke		
<b>017 558</b>	Tube for lower bridge for third wheel		
<b>017 586</b>	Minute wheel pin		
<b>017 642</b>	Tube for train wheel bridge (A)		
<b>017 643</b>	Tube for train wheel bridge (B)		
<b>017 644</b>	Tube for circuit block (A)		
<b>017 645</b>	Tube for circuit block (B)		

☆⇨ Please see remarks on the reverse page.  
 Part numbers in light letters are not shown in photos.

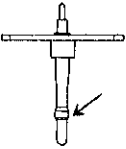

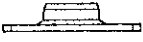
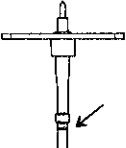


# Cal. 1231A

## Remarks :

### Fourth wheel & pinion, Center minute wheel, Hour wheel

There are two different types as specified below.

Combination :

Type	Fourth wheel & pinion	Center minute wheel	Hour wheel
* a	 ☆241 124	 ☆270 125	 ☆271 125
b	 ☆241 122	 ☆270 123	 ☆271 123

※As of this printing the type a combination is not used.  
 However it may be employed in the future with certain case designs.

### Battery

☆Maxell SR616SW } ..... The substitutive battery might be added to the applied battery in the future.  
 ☆SEIKO TR616SW } ..... In that case, please refer to separate "**BATTERY LIST FOR SEIKO QUARTZ WATCHES**".  
 Note that SEIKO battery is marked with "SEIZAIKEN" on its (+) side.